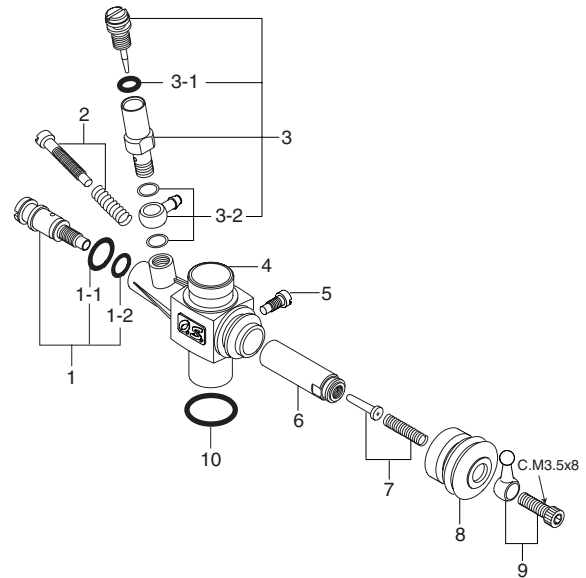
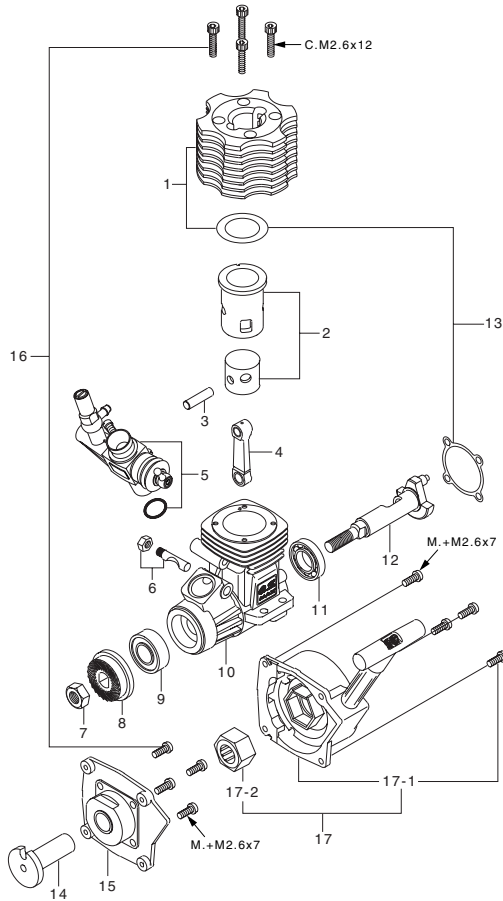


MAX-12CV-X Hyper

(DISCONTINUED) (11274)

TYPE 10C

(21286000)



* Type of screw

C...Cap Screw M...Oval Fillister-Head Screw

F...Flat Head Screw N...Round Head Screw S...Set Screw

No.	Code No.	Description
1	21404000	12CV Machine Head (GOLD)
2	21203011	Cylinder & Piston Assembly
3	21206000	Piston Pin
4	21205040	Connecting Rod
5	21286000	Carburetor Complete (Type 10C)
6	21481700	Carburetor Retainer
7	20810007	Propeller Nut
8	21408000	Drive Hub
9	22631019	Crankshaft Ball Bearing (Front)
10	21401010	Crankcase (GREY)
11	21230000	Crankshaft Ball Bearing (Rear)
12	21202000	Crankshaft
13	21214000	Gasket Set
14	21421200	Starting Shaft
15	21421100	Rear Adaptor
16	21313030	Screw Set
17	73003000	No.5 Recoil Starter Assembly
17-1	73003100	No.5 Recoil Starter Body
17-2	73003200	No.5 One-way Clutch
	72404000	Engine Mount Spacer
	71605300	Glow Plug A3
	72403200	Super Air Cleaner 102 (W/3 filter elements)
	72403210	102 Cleaner Body
	72403120	101,102 Filter Elements (6pcs.)

No.	Code No.	Description
1	21285600	Mixture Control Valve Assembly
1-1	46066319	"O" Ring(L) (2pcs.)
1-2	22781800	"O" Ring(S) (2pcs.)
2	21285640	Throttle Stop Screw
3	21285901	Needle Valve Assembly
3-1	27881820	"O" Ring (2pcs.)
3-2	21881950	No.14 Universal Nipple Assembly
4	21286100	Carburetor Body
5	21285220	Slide Valve Guide Screw
6	21286200	Slide Valve
7	21286400	Metering Needle Assembly
8	21881320	Dust Cover
9	23818420	Ball Link No.4
10	22615000	Carburetor Rubber Gasket

O.S. GENUINE PARTS & ACCESSORIES

Code No.	Description
72001100	12CV Hyper Head (RED)
72001110	12CV Hyper Head (BLUE)
72103110	Exhaust Header Pipe (for kyosho super10)
72103140	Exhaust Header Pipe (for kyosho Spider & HPI Nitro)
72103160	Exhaust Header Pipe (for kyosho V-one R, V-one S)
72103130	Exhaust Header Pipe (for Tamiya TG10)
72103120	Exhaust Header Pipe (for Tamiya TGX)
72103150	Exhaust Header Pipe (for MUGEN MTX)
72103310	Super Joint Tube 15
72103030	T-1030Tuned Silencer For 1/10 off-road buggy and scale car.
72103031	T-1031Tuned Silencer Exhaust outlet pipe is located on right side of silencer.
72103032	T-1032Tuned Silencer Is located on left side of silencer IFMAR regulation legal.
73300305	Dust Cap Set ϕ 3 (5pcs.) (for Carburetor Nipple)
73300712	Dust Cap Set ϕ 7 (3pcs.) (for Tuned Silencer)
73301012	Dust Cap Set ϕ 10 (3pcs.) (for Carburetor)
79871020	M2.6x7 Cap Screw Set (10pcs.)
79871040	M2.6x12 Cap Screw Set (10pcs.)
79871060	M3.5x8 Cap Screw Set (10pcs.)
71521000	Long Socket Wrench With Plug Grip

The specifications are subject to alteration for improvement without notice.